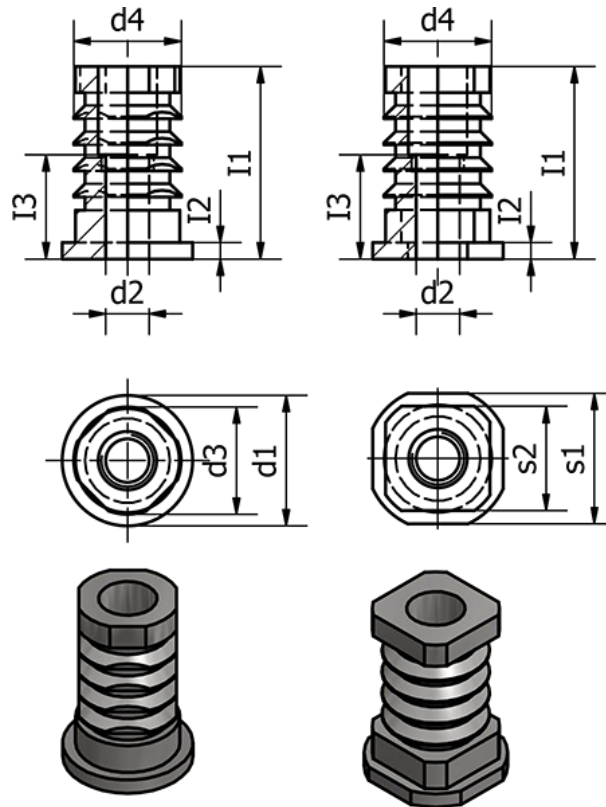


Article number: 209925D50M12

Description: E+G Threaded end-caps - GN 992.5-D50-M12

## Measures



d1 = 50  
d2 = M12  
d3 = 44  
d4 = 44.5  
I1 = 37.5  
I2 = 2.5  
I3 = 30  
s1 =

s2 =  
Weight (g) = 190